



HAVELLS

enviro
Solar Module



ENVIRO-PVM6-330

The high performance Poly-Crystalline Modules are designed for on-grid as well as off-grid applications.

KEY FEATURES

- Made from high efficiency crystalline silicon solar cells
- Positive power tolerance
- Extremely reliable product suiting all environment conditions
- Product warranty - upto 10 years
- Power output warranty - upto 25 years



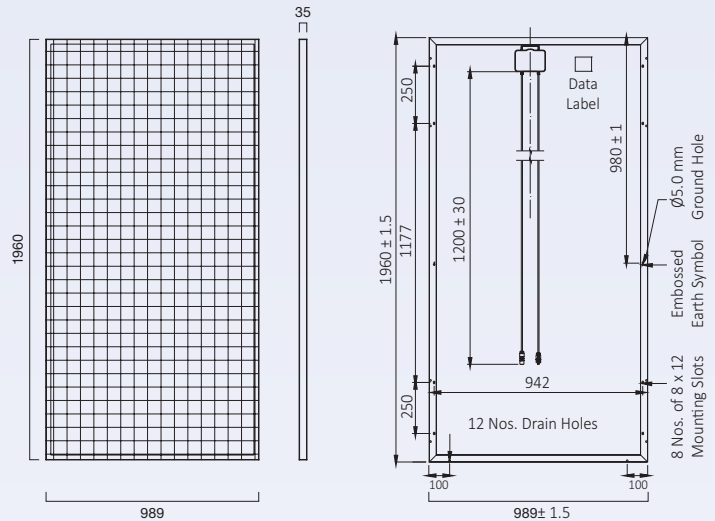
IS 14286: 2010 / IEC 61215: 2005
IS / IEC 61730 (Part 1): 2004
IS / IEC 61730 (Part 2): 2004

R-63001171
www.bis.gov.in

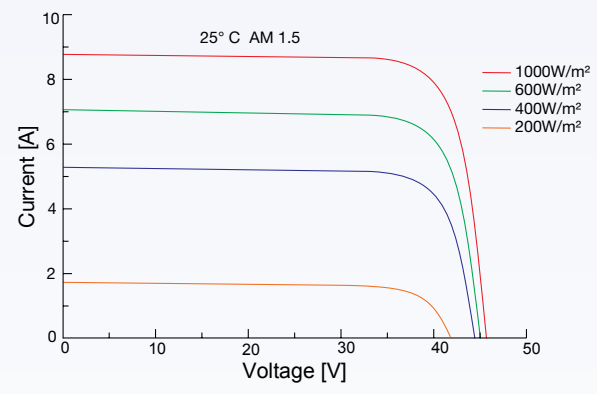
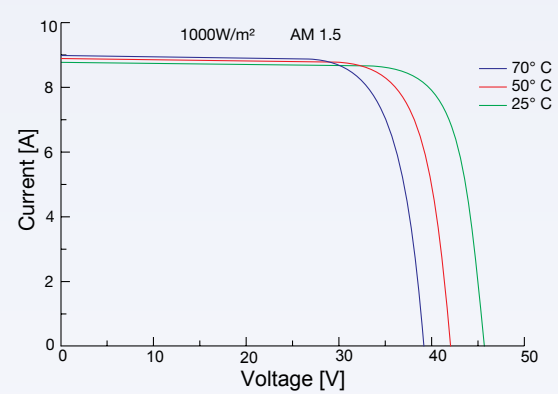
- IEC Certified- 61215, 61730, 61701
- ISO 9001:2008/ Quality Management System
- ISO 14001/ Environmental Management
- BIS Approved

**Performance under standard test conditions
(1000W/m² AM1.5, 25°C)**

ENVIRO PVM6-330			
ELECTRICAL CHARACTERISTICS			
Rated power	W _p		330
Open circuit voltage	V _{oc}	V	46.24
Maximum power voltage	V _{mp}	V	37.67
Short circuit current	I _{sc}	A	9.31
Maximum power current	I _{mp}	A	8.79
Module efficiency	η	%	17.02
CONSTRUCTION			
Cell / Matrix	72; Poly Crystalline; 12 x 6		
Dimension	1958 mm x 987 mm x 35 mm (±2)		
Weight	21.2 kg		
Glass	3.2mm Thick Low Iron Tempered		
Junction Box	IP67 Junction Box With 4 Rail		
Cable	NO. 12 AWG, 4mm ²		
Connector	MC4 Compatible		
Frame	Anodized Aluminum Alloy		
MAXIMUM RATINGS			
System Voltage	1000VDC (IEC)		
Fuse Rating	15 A		
Application Class	Class A (Protection Class II)		
Snow Load	5400 Pa		
Wind Load	2400 Pa		
TEMPERATURE RATINGS			
NOCT	45°C (±2°C)		
T _c of V _{oc}	- 0.30 % / °C		
T _c of I _{sc}	+ 0.05 % / °C		
T _c of P _m	- 0.40 % / °C		
Operating range	-40°C to +85°C		
PERFORMANCE			
90% of rated power for 12 Years 80% of rated power for 25 Years			



IV-Curves



Havells India Ltd.
 Corp. Office : QRG Towers, 2D, Sector -126, Expressway, Noida - 201 304 (UP),
 Ph. +91-120-3331000, E-mail: marketing@havells.com, www.havells.com
 Customer Care No.: 08045 77 1313
 Join us on Facebook at www.facebook.com/havells and share your ways to save the planet!
 CIN - L31900DL1983PLC016304.

