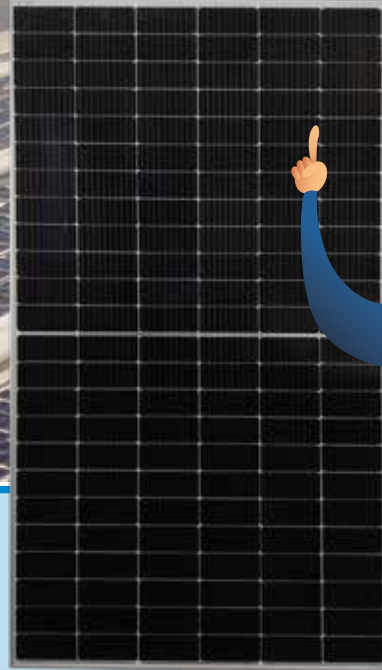




HAVELLS

enviro
HARNESSING LIGHT. HARVESTING ENERGY.



ENVIRO SOLAR PV 144 MONO MODULE

144 Mono PERC Module 545-550 Wp

IS 14286 : 2010/IEC 61215 : 2005,
IS/IEC 61730(Part 1) :2004
IS/IEC 61730 (Part 2): 2004



R-41277169

www.bis.gov.in



KEY SALIENT FEATURES



Multi Busbar Technology

By improving optical utilization rate, power increases by 2-3%. Efficiency increases by 0.4-0.6%.



Higher Power Output

Module power increases by 5-25% generally, bringing significantly lower LCOE and higher IRR. 0-5w positive tolerance output warranty.



Enhanced Mechanical Load

Certified to withstand extreme wind loads (2400 Pa) and snow loads (5400 Pa).



PID Resistance

Excellent Anti-PID performance guarantee via optimized mass-production process and material control



Low-light Performance

Excellent performance in low light condition

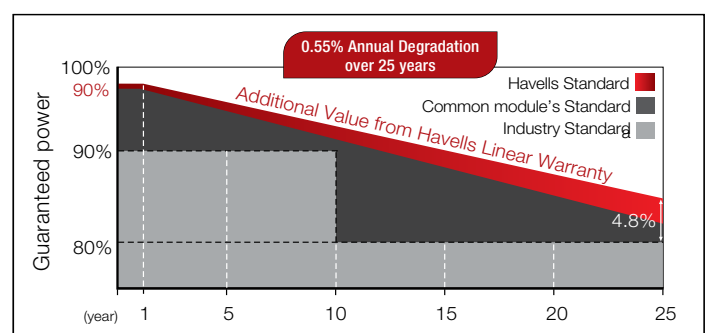


EL Full Inspection

Dual Stage 100% EL Inspection warranting defect-free product.

LINEAR PERFORMANCE WARRANTY

- 98% in the first year; thereafter, for years two through twenty-five, 0.55% maximum decrease from MODULE'S nominal power output per year, ending with 84.8% in the 25th year after the defined Warranty Starting Date.
- Product Warranty is of 12 Years**
- 25-year linear performance warranty**



ELECTRICAL CHARACTERISTICS

Model nos. : Enviro-RMPV-144MO545 , Enviro-RMPV-144MO550

ELECTRICAL DATA(STC)

Rated Power in Watts-Pmax (Wp)	545	550
Open Circuit Voltage-Voc (V)	49.90	50.10
Short Circuit Current-Isc (A)	13.90	13.95
Max. Power Voltage-Vmpp (V)	41.90	42.10
Max. Power Current-Impp (A)	13.02	13.07
Module Efficiency (%)	21.09	21.28

TEMPERATURE & MAXIMUM RATINGS

Nominal Operating Cell Temperature (NOCT)	44°C ± 2°C
Temperature Coefficient of Voc	-0.27% / °C
Temperature Coefficient of Isc	0.04% / °C
Temperature Coefficient of Pmax	-0.36% / °C
Operational Temperature	-40°C~+85°C
Max. System Voltage	1500 V DC
Operational Temperature	25A

STC: Irradiance 1000W/m², Cell Temperature 25°, Air Mass AM 1.5

NOTC: Irradiance at 800W/m², Ambient Temperature 20°C, Wind Speed 1m/s

MECHANICAL CHARACTERISTICS

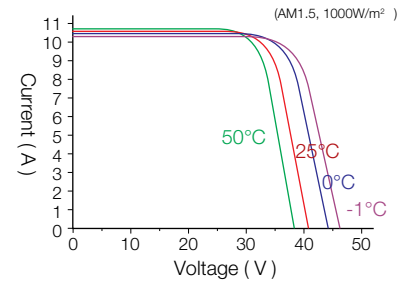
MECHANICAL DATA

Solar Cells	Monocrystalline
Cell Size	182 mm × 91 mm
Cell Configuration	144 cells (6 × 12 + 6 × 12)
Module Dimensions	2279 × 1134 × 35 mm
Weight	28.6kg
Glass	High Transmission, Low Iron, Tempered ARC Glass 3.2mm
Back Sheet	White
Frame	Anodized Aluminum Alloy type 6005 T6, Silver/Black Color
J-box	PV-RM01, IP68, 1500V DC, 3 Diode
Cables	"4.0mm ² , (+) 300mm, (-) 300mm (Connector Included)"
Connector	MC4- compatible

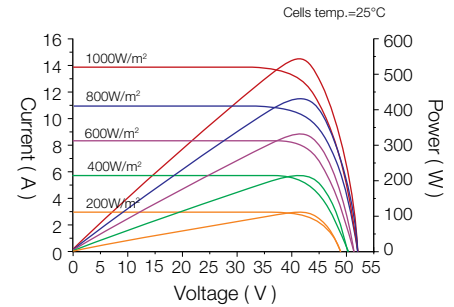
PACKAGING CONFIGURATION

	40ft(HQ)
Number of Modules Per Container	620
Number of Modules Per Pallet	31
Number of Pallets Per Container	20
Packaging Box Dimensions (l×w×h) (mm)	2300×1120×1260
Box Gross Weight (kg)	916

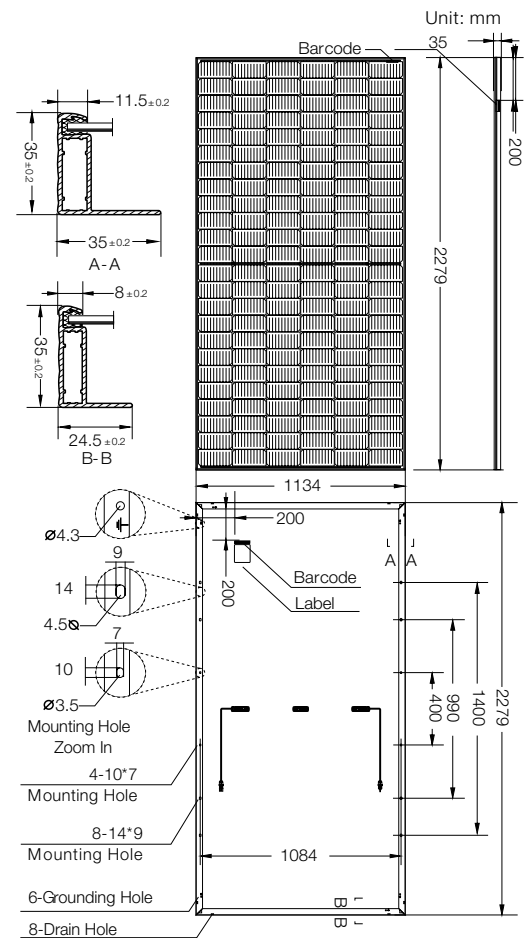
I-V Characteristics at different temperatures



I-V Characteristics at different temperatures



Dimensions of PV Module



Scan the QR Code to download
Havells
Solar mCatalogue



Havells India Ltd.

QRG Towers, 2D, Sector -126, Expressway, Noida - 201 304 (UP), Ph. +91-120-3331000,
E-mail: marketing@havells.com, www.havells.com, Customer Care No. 08045 77 1313
Join us on Facebook at www.facebook.com/havells and share your ways to save the planet!

CIN - L31900DL1983PLC016304



HAVELLS