

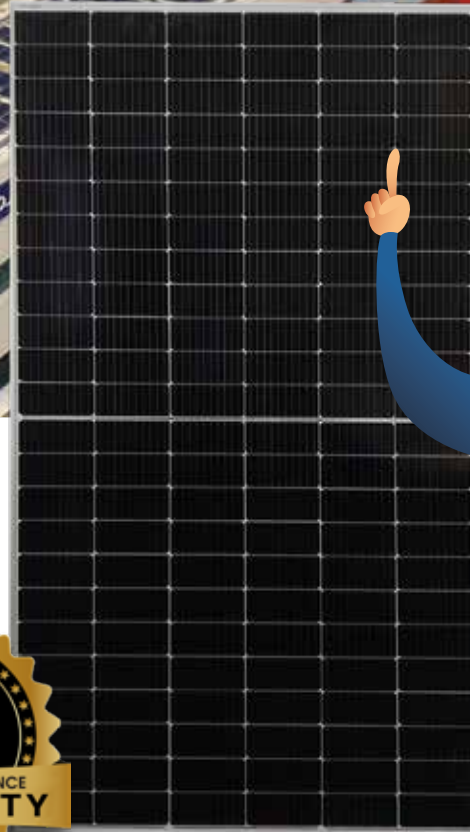


**HAVELLS**

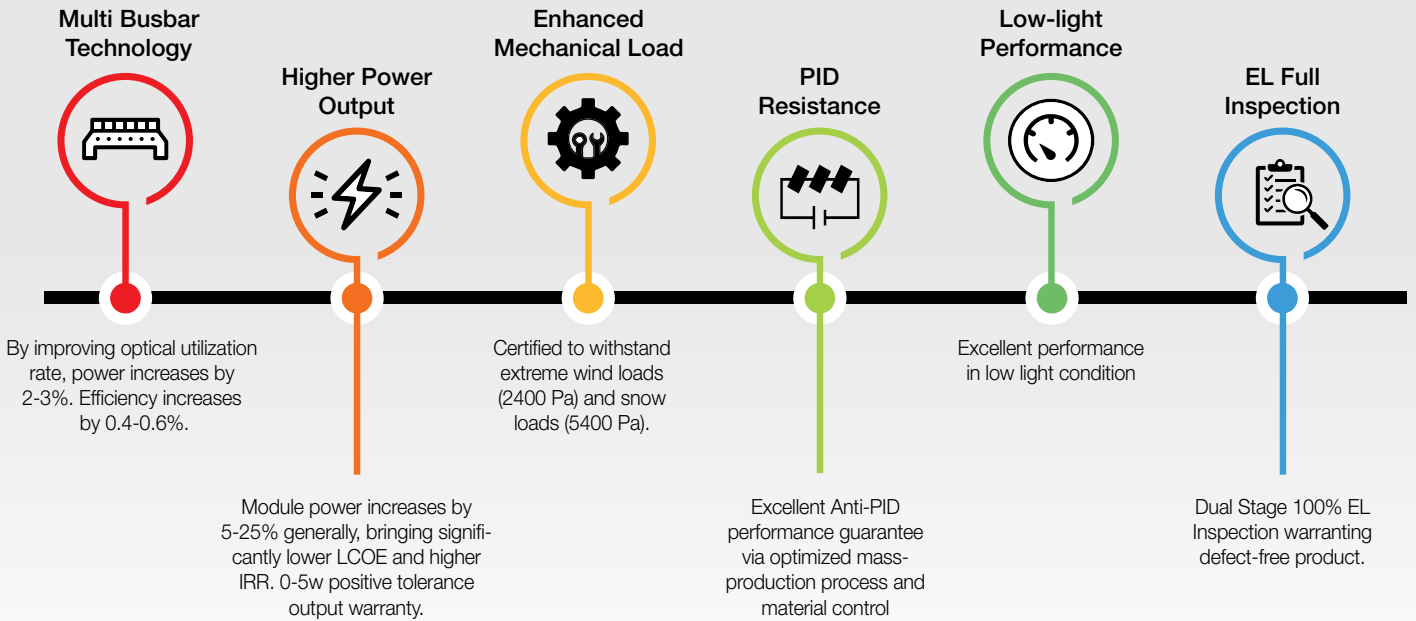
**enviro**  
HARNESSING LIGHT. HARVESTING ENERGY.

# ENVIRO SOLAR PV 144 MONO MODULE

144 Mono PERC  
Module 545-550 Wp

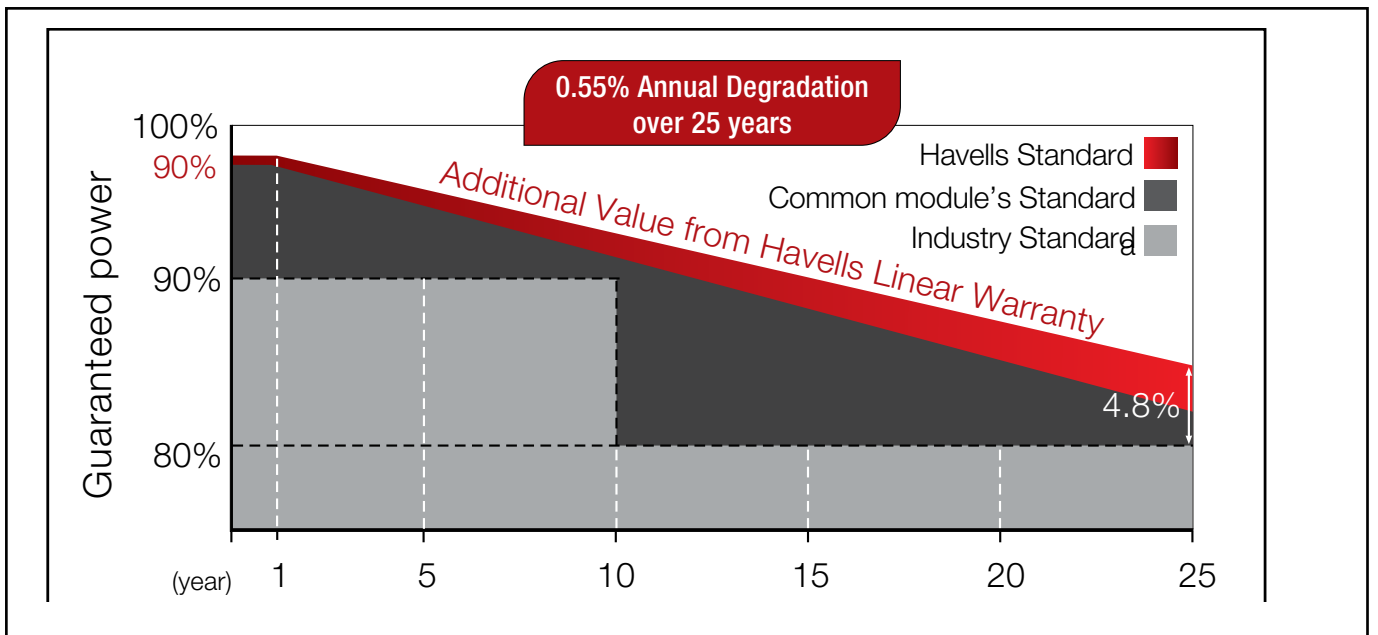


# FEATURE



# LINEAR PERFORMANCE WARRANTY

- 98% in the first year; thereafter, for years two through twenty-five, 0.55% maximum decrease from MODULE'S nominal power output per year, ending with 84.8% in the 25th year after the defined warranty starting date.
- Product Warranty is of 12 Years\*\*
- 25-year linear performance warranty\*\*



## ELECTRICAL CHARACTERSTICS

### ELECTRICAL DATA(STC)

Rated Power in Watts-Pmax (Wp)	545	550
Open Circuit Voltage-Voc (V)	49.90	50.10
Short Circuit Current-Isc (A)	13.90	13.95
Max. Power Voltage-Vmpp (V)	41.90	42.10
Max. Power Current-Imp (A)	13.02	13.07
Module Efficiency (%)	21.09	21.28

### TEMPERATURE & MAXIMUM RATINGS

Nominal Operating Cell Temperature (NOCT)	44°C ± 2°C
Temperature Coefficient of Voc	-0.27% / °C
Temperature Coefficient of Isc	0.04% / °C
Temperature Coefficient of Pmax	-0.36% / °C
Operational Temperature	-40°C~+85°C
Max. System Voltage	1500 V DC
Operational Temperature	25A

STC: Irradiance 1000W/m<sup>2</sup>, Cell Temperature 25°, Air Mass AM 1.5

NOTC: Irradiance at 800W/m<sup>2</sup>, Ambient Temperature 20°C, Wind Speed 1m/s

## MECHANICAL CHARACTERSTICS

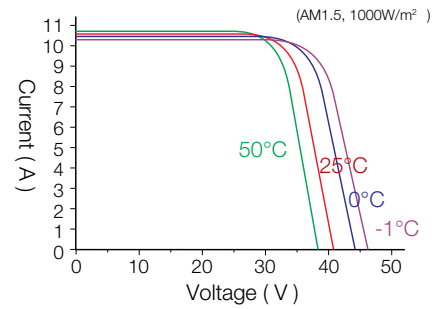
### MECHANICAL DATA

Solar Cells	Monocrystalline
Cell Size	182 mm × 91 mm
Cell Configuration	144 cells ( 6 × 12 + 6 × 12)
Module Dimensions	2279 × 1134 × 35 mm
Weight	28.6kg
Glass	High Transmission, Low Iron, Tempered ARC Glass 3.2mm
Back Sheet	White
Frame	Anodized Aluminum Alloy type 6005 T6, Silver/Black Color
J-box	PV-RM01, IP68, 1500V DC, 3 Diode
Cables	"4.0mm <sup>2</sup> , (+) 300mm, (-) 300mm (Connector Included)"
Connector	MC4- compatible

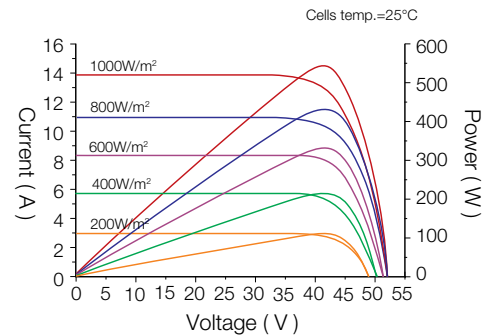
### PACKAGING CONFIGURATION

	40ft(HQ)
Number of Modules Per Container	620
Number of Modules Per Pallet	31
Number of Pallets Per Container	20
Packaging Box Dimensions (l×w×h) (mm)	2300×1120×1260
Box Gross Weight (kg)	916

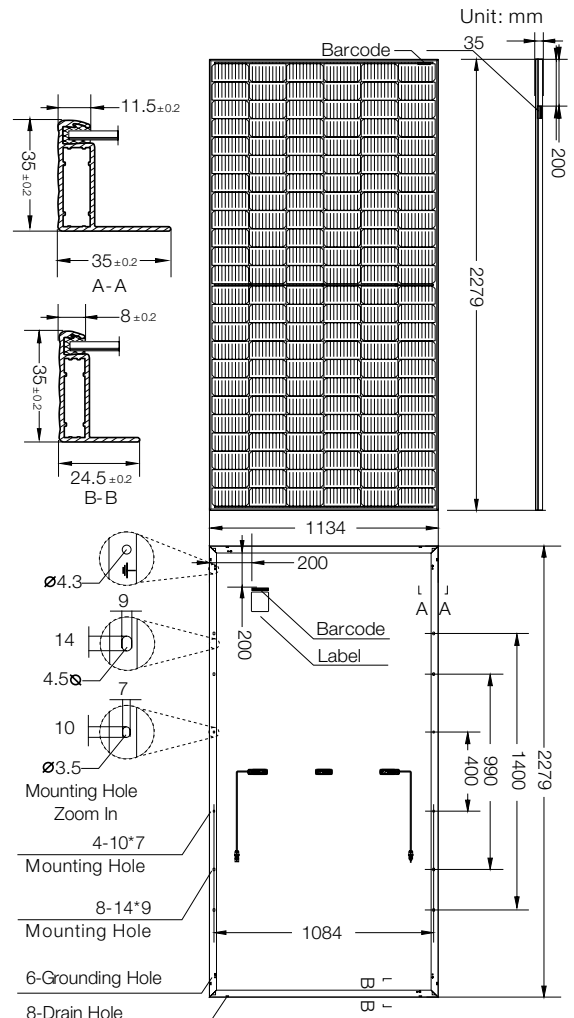
### I-V Characteristics at different temperatures



### I-V Characteristics at different temperatures



### Dimensions of PV Module



---

**REGIONAL & BRANCH OFFICES:**

**NORTH - REGIONAL OFFICE: Corporate Office:** QRG Towers, 2D, Sector-126, Expressway, Noida-201304, Tel: 0120-3331000, **Delhi:** Tel: 011-47676700, 23888200, **Chandigarh:** Tel: 0172-4232400-401, **Dehradun:** Tel: 0135-6670202, **Noida / Haryana:** Tel: 0120-3331000, **Ludhiana:** Tel: 0161-4676000 / 24, **Jammu:** Tel: 0191-2478330, 2479330, **Sri Nagar:** Tel: 0194-2490431, **Jaipur:** Tel: 0141-3914645, 3988210 **Jodhpur:** Tel: 0291-9214201640 / 45, **Lucknow:** Tel: 0522-6672100, **Kanpur:** Tel: 0512-6710400, 6710409

**EAST - REGIONAL OFFICE: Kolkata:** ICC Tower, 5th Floor, 4 India Exchange Place, Kolkata-700001, Tel: 033-40129851 / 52, **Bhubaneswar:** Tel: 0674-6668101/102/103/104, **Guwahati:** Tel: 0361-2134521, 2458923, 2460355, **Siliguri:** Tel: 0353-2525907, **Ranchi:** 0651-2244861, 2244862, 2244864, 2244868, 2244869, **Jamshedpur:** Tel: 0657-6542492, 09234369436, **Patna:** Tel: 0612-2207221, 2207222, 2207223, 2655518

**WEST - REGIONAL OFFICE: Mumbai:** 1271, Solitaire Corporate Park, Bldg. No. 12, 7th Floor, Andheri - Ghatkopar Link Road, Chakala, Andheri (East), Mumbai- 400093. Ph.: 022 - 67298600-602, **Ahmedabad:** Tel: 079-40061111, 40060738-740, **Indore:** Tel: 0731-2572340-41, 4009998 (Airtel), **Rajkot:** Tel: 0281-2481112, 2921212, **Nagpur:** Tel: 0712-2240932, 2242692, 2242699 **Pune:** Tel: 020-64016413 / 14, **Raipur:** Tel: 0771-4243400 / 01, **Surat:** Tel: 0261-2350137, 9979890137, **Jabalpur:** Tel: 0761-4064491

**SOUTH - REGIONAL OFFICE: Chennai:** Sigapi Achi Building, No. 18 / 3, 6th Floor, Rukmani Lakshmi Pathy Road, Egmore, Chennai-600008, Tel: 044-42280600, 605, **Bangalore:** Tel: 080-49075000, **Coimbatore:** Tel: 0422-4550200, 2305199, 2306199, **Hyderabad:** Tel: 040-27533372, 27533355, 27533632, 66320407/0408/6401/6402, **Kochi:** Tel: 0484-4099000, **Vizag:** Tel: 0891-6514339, **Vijayawada:** Tel: +91-9247058847/57, **Calicut:** 0495-4019194, **Madurai:** 0452-4267022, **Trivandrum:** 0471-4015323, **Hubli:** 09448146028, **Trichy:** 09944460160

Representative Offices: • Goa • Solapur • Gwalior • Kathmandu • Bhopal

---

Actual products may vary in colour, design, description and colour combination etc.  
Although every effort has been made to ensure accuracy in the compilation of the technical detail within this publication. Specifications & performance data are constantly changing.  
Current details should therefore be checked with Havells Group.  
"Copyright Subsists. Imitation of trade dress, graphics and color scheme of this document is a punishable offence."

---



# HAVELLS

## Havells India Ltd.

QRG Towers, 2D, Sector -126, Expressway, Noida - 201 304 (UP), Ph. +91-120-3331000,  
E-mail: [marketing@havells.com](mailto:marketing@havells.com), [www.havells.com](http://www.havells.com), Customer Care No. 08045 77 1313  
Join us on Facebook at [www.facebook.com/havells](http://www.facebook.com/havells) and share your ways to save the planet!

CIN - L31900DL1983PLC016304

Scan the QR Code  
to download  
Havells  
Solar mCatalogue

