



HAVELLS

enviro
HARNESSING LIGHT. HARVESTING ENERGY.

HAVELLS ENVIRO SOLAR PV MODULE

**MONO PERC TECHNICAL
DATASHEET - ENVIRO-PMHC-545**



- High-performance high-efficiency MONO PERC Modules are designed with 144 half-cut cell configuration.
- 10 years of product warranty
- 25 Years of linear power output warranty
- Extreme weather resilience
- Windspeed - 2400 Pa, Snowload - 5400 Pa
- Highly reliable anti-reflective coated glass
- 1500 Vdc
- PID resistant



TECHNICAL SPECIFICATION

Performance under standard test conditions (1000 w/m², AM 1.5, 25 °C)

Cell Type	Mono PERC-crystalline
Model Name	ENVIRO-PMHC-545
Rated power (Pmax), Wp	545
Max. power voltage (Vmp), V	41.98
Max. power current (Imp), A	12.99
Open circuit voltage (Voc), V	49.97
Short circuit current (Isc), A	13.74
Module efficiency (%)	20.99

NOCT (Wp) at 45 ± 2 °C @800 W/m²

Pmax (W)	405.61
Max. power voltage (Vmp), V	38.39
Max. power current (Imp), A	10.57
Open circuit voltage (Voc), V	46.46
Short circuit current (Isc), A	11.22

MECHANICAL CHARACTERISTICS

Cable	No. 12 AWG, 4mm ² , (1.0m Standard)
PV Connectors	MC4 Compatible
Frame	Anodized Aluminum Alloy
Junction box	IP68 Split junction box with 3 bypass diodes
Glass	3.2 mm Thick low iron tempered

OPERATING CONDITIONS

Temperature, °C	-40 to +85
Max. system voltage, Vdc	1500
Hail impact velocity, m/sec	23
Max. surface load capacity, Pa	5400
Max. wind speed capacity, Pa	2400

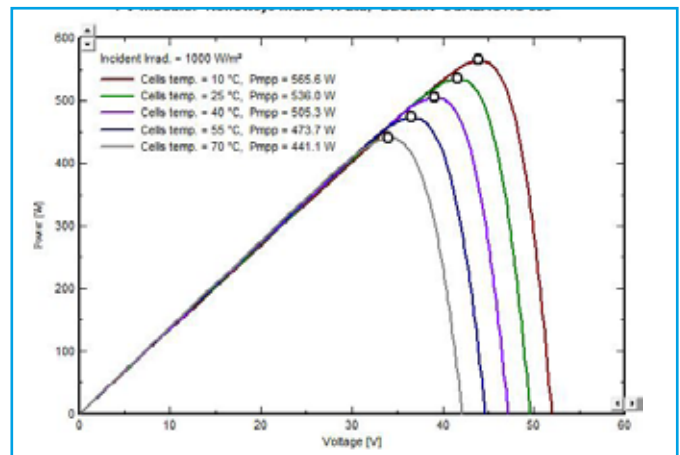
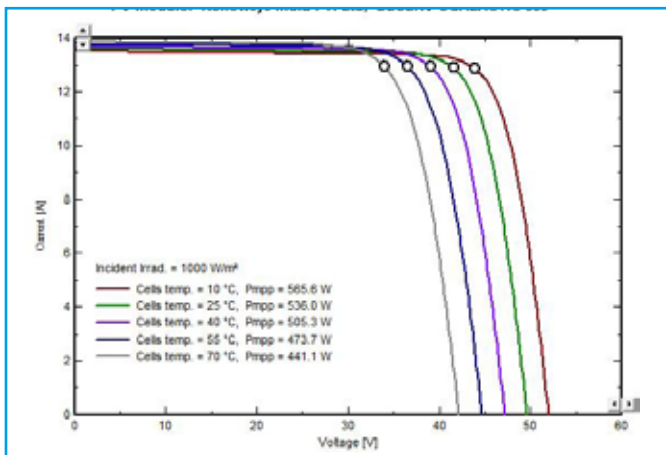
PHYSICAL PARAMETERS

No. of cells	144
Module dimension (mm)	2284 X 1137 mm (± 2)
Module thickness (mm)	35 mm
Approximate weight (kg)	28.7

CELL TEMPERATURE COEFFICIENT

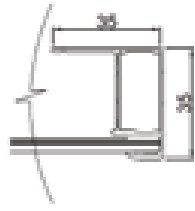
Open circuit voltage	-0.2917 % / °C
Short circuit current	+0.045 % / °C
Peak power	-0.3845 % / °C

IV CURVES

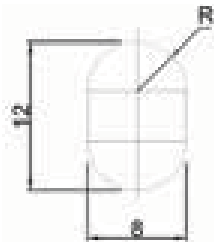


DIMENSIONS

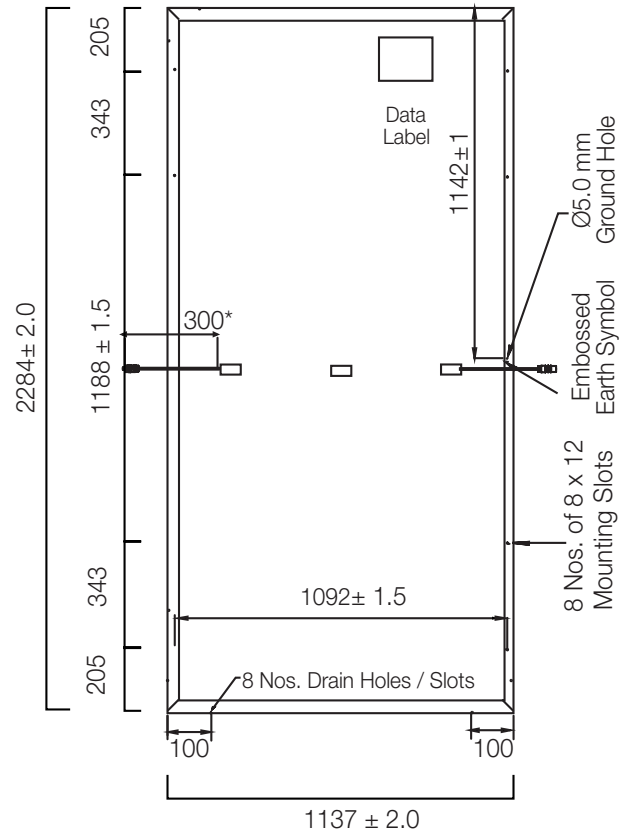
Frame Cross Section



Mounting Hole



Module Dimension Diagram (mm)



REGIONAL & BRANCH OFFICES:

NORTH - REGIONAL OFFICE: Corporate Office: QRG Towers, 2D, Sector-126, Expressway, Noida-201304, Tel: 0120-3331000, **Delhi:** Tel: 011-47676700, 23888200, **Chandigarh:** Tel: 0172-4232400-401, **Dehradun:** Tel: 0135-6670202, **Noida / Haryana:** Tel: 0120-3331000, **Ludhiana:** Tel: 0161-4676000 / 24, **Jammu:** Tel: 0191-2478330, 2479330, **Sri Nagar:** Tel: 0194-2490431, **Jaipur:** Tel: 0141-3914645, 3988210 **Jodhpur:** Tel: 0291-9214201640 / 45, **Lucknow:** Tel: 0522-6672100, **Kanpur:** Tel: 0512-6710400, 6710409

EAST - REGIONAL OFFICE: Kolkata: ICC Tower, 5th Floor, 4 India Exchange Place, Kolkata-700001, Tel: 033-40129851 / 52, **Bhubaneswar:** Tel: 0674-6668101/102/103/104, **Guwahati:** Tel: 0361-2134521, 2458923, 2460355, **Siliguri:** Tel: 0353-2525907, **Ranchi:** 0651-2244861, 2244862, 2244864, 2244868, 2244869, **Jamshedpur:** Tel: 0657-6542492, 09234369436, **Patna:** Tel: 0612-2207221, 2207222, 2207223, 2655518

WEST - REGIONAL OFFICE: Mumbai: 1271, Solitaire Corporate Park, Bldg. No. 12, 7th Floor, Andheri - Ghatkopar Link Road, Chakala, Andheri (East), Mumbai- 400093. Ph.: 022 - 67298600-602, **Ahmedabad:** Tel: 079-40061111, 40060738-740, **Indore:** Tel: 0731-2572340-41, 4009998 (Airtel), **Rajkot:** Tel: 0281-2481112, 2921212, **Nagpur:** Tel: 0712-2240932, 2242692, 2242699 **Pune:** Tel: 020-64016413 / 14, **Raipur:** Tel: 0771-4243400 / 01, **Surat:** Tel: 0261-2350137, 9979890137, **Jabalpur:** Tel: 0761-4064491

SOUTH - REGIONAL OFFICE: Chennai: Sigapi Achi Building, No. 18 / 3, 6th Floor, Rukmani Lakshmi pathy Road, Egmore, Chennai-600008, Tel: 044-42280600, 605, **Bangalore:** Tel: 080-49075000, **Coimbatore:** Tel: 0422-4550200, 2305199, 2306199, **Hyderabad:** Tel: 040-27533372, 27533355, 27533632, 66320407/0408/6401/6402, **Kochi:** Tel: 0484-4099000, **Vizag:** Tel: 0891-6514339, **Vijayawada:** Tel: +91-9247058847/57, **Calicut:** 0495-4019194, **Madurai:** 0452-4267022, **Trivandrum:** 0471-4015323, **Hubli:** 09448146028, **Trichy:** 09944460160

Representative Offices: • Goa • Solapur • Gwalior • Kathmandu • Bhopal

Actual products may vary in colour, design, description and colour combination etc.
Although every effort has been made to ensure accuracy in the compilation of the technical detail within this publication. Specifications & performance data are constantly changing.
Current details should therefore be checked with Havells Group.

"Copyright Subsists. Imitation of trade dress, graphics and color scheme of this document is a punishable offence."



Havells India Ltd.

QRG Towers, 2D, Sector -126, Expressway, Noida - 201 304 (UP), Ph. +91-120-3331000,
E-mail: marketing@havells.com, www.havells.com, Customer Care No. 08045 77 1313
Join us on Facebook at www.facebook.com/havells and share your ways to save the planet!

CIN - L31900DL1983PLC016304

Scan the QR Code
to download
Havells
Solar mCatalogue

