

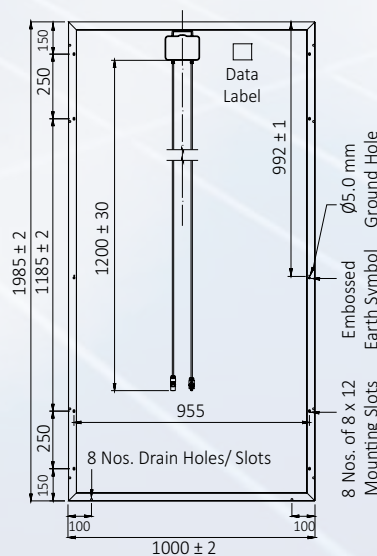
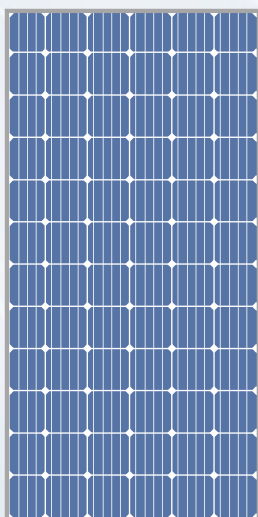


HAVELLS

HAVELLS ENVIRO SOLAR PV MODULE

MONO PERC TECHNICAL DATASHEET -
ENVIRO-MPSH-390

- High Efficiency Mono PERC Solar PV Module
- Made in India
- BIS Approved & IEC certified
- 25 years Linear Output warranty
- 1500 V DC



IS 14286 : 2010 / IEC 61215 : 2005,
IS/IEC 61730 (PART 1): 2004 &
IS/IEC61730 (PART2)



R-63001171

www.bis.gov.in

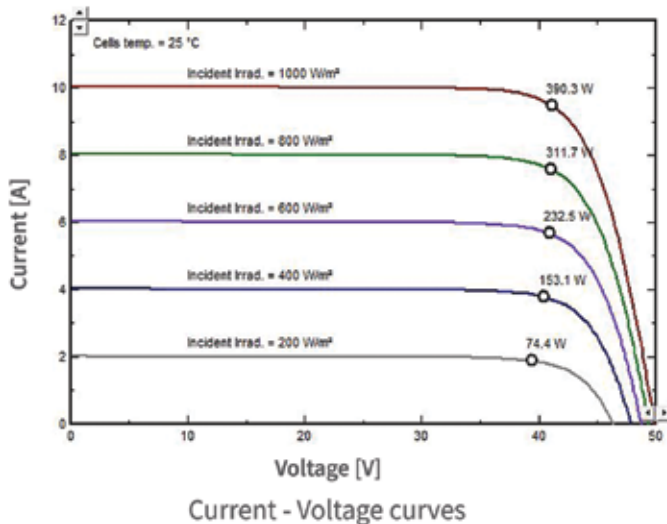
ELECTRICAL CHARACTERISTICS

Model No.	ENVIRO-MPSH-390
Wattage Wp	390
Voltage at Max Power, Vmax	40.74
Open circuit Voltage, Voc	49.87
Current at max Power, Imp	09.57
Short Circuit Current, Isc	10.05
Fill factor	>0.75
Module Efficiency	19.64
Operating Temperature (°C)	-40 °C ~ +85 °C
Maximum System Voltage	1500 V DC
Maximum series fuse rating	15 A
Power Tolerance	0~4.99 Wp
Temperature Co-efficients of Pmax	-0.38 % / °C
Temperature Co-efficients of Vmax	--0.36 % / °C
Temperature Co-efficients of Isc	+0.07 % / °C
Normal operating cell temperature (NOCT)	45+-2 °C
STC : Irradiance 1000 W/m ²	AM = 1.5

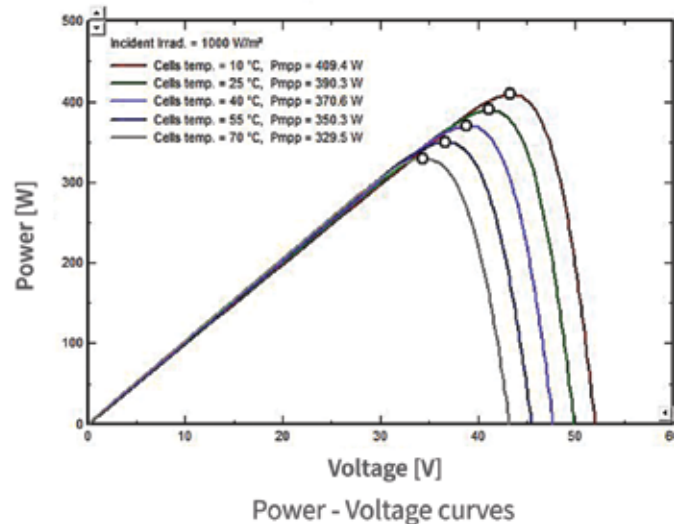
MECHANICAL CHARACTERISTICS

Cell Type	Mono perc
No of Cells	72
Dimensions	1985 mm x 1000 mm x 35 mm
Weight	21.8 kg
Front Glass	3.2 mm, High Transmission, Low Iron, Tempered Glass
Frame	Anodized Aluminium Alloy
Junction Box	IP67 Rated
Output Cables	4.0 Sqm, Length : 1200 mm
Connector	MC4 Compatible
Maximum Snow Load	5400 Pa
Maximum wind Load	2400 Pa
Hailstone Impact test	Complied as per IEC 61215 : 2016

PV MODULE : ENVIRO-MPSH-390



PV MODULE : ENVIRO-MPSH-390



Scan the QR Code
to download
Havells
Solar mCatalogue



Havells India Ltd.

Corp. Office : QRG Towers, 2D, Sector -126, Expressway, Noida - 201 304 (UP),
Ph. +91-120-3331000, E-mail: marketing@havells.com, www.havells.com
Customer Care No.: 08045 77 1313

Join us on Facebook at www.facebook.com/havells and share your ways to save the planet!

CIN - L31900DL1983PLC016304.



HAVELLS